

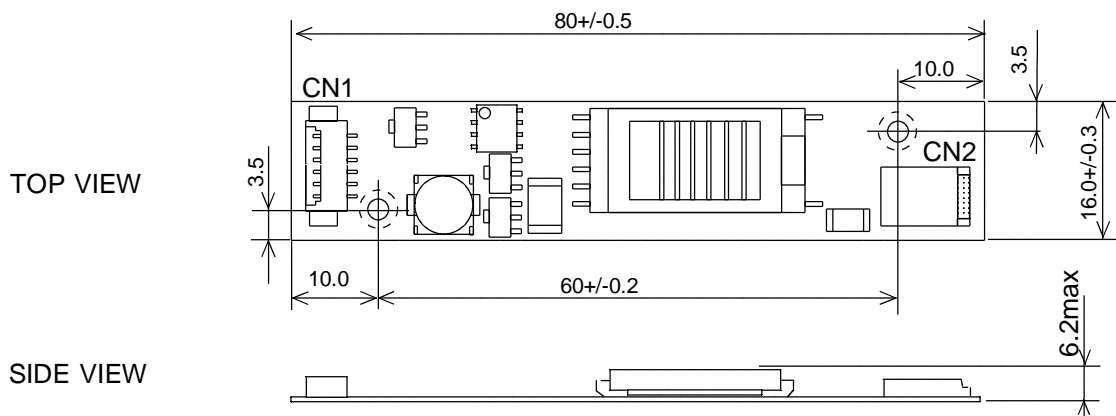
type : INVC572A

(1999.8.6)

Features

- 1)Low cost.
- 2)Adaptable with a variety of secondary batteries(5-12V)
- 3)Very small,very thin and low power consumption design.
- 4)External On/Off switching of backlight.
- 5)Dimmable with variable resistor or analog cntrol voltage.

Structure and Dimensions



Electrical characteristics

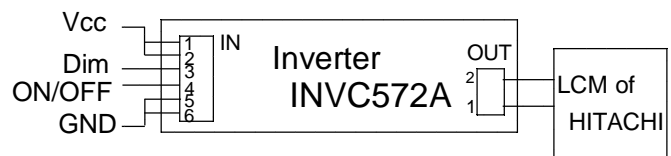
Type	Input voltage[V]	Input Current(A)	Output Current(mA)	Suitable LCM
INVC572A	5-12V	0.33(Vin:5.0V)	2.5(Vin:5.0V)	SX21V001,SX21V004
	5-10V	0.49(Vin:5.0V)	5.0(Vin:5.0V)	SX19V001(SX19V007)

Wiring

ON/OFF signal level	0V,Open	3.3-5V
4PIN	Lamp OFF	Lamp ON

SX21V001,SX21V004

DIM signal level	2.0V	3.0V
Brightness	MAX	MIN



SX19V001(SX19V007)

DIM signal level	0V	2.5V
Brightness	MAX	MIN

Input and Output connector

Input Connector	Input Housing Connector
MOLEX: 53261-0610	51021-0600
Output Connector	Output Housing Connector
JST: SM02B-BHSS-1	BHSR-02VS-1